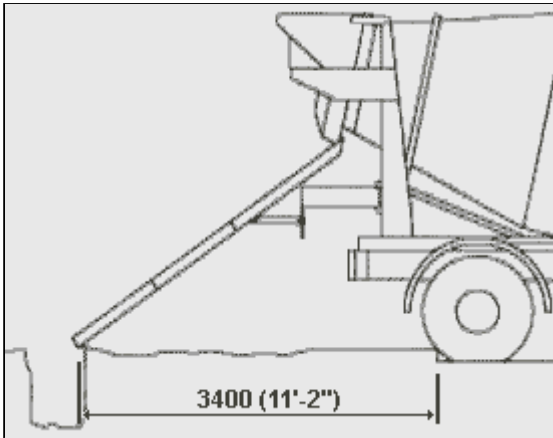
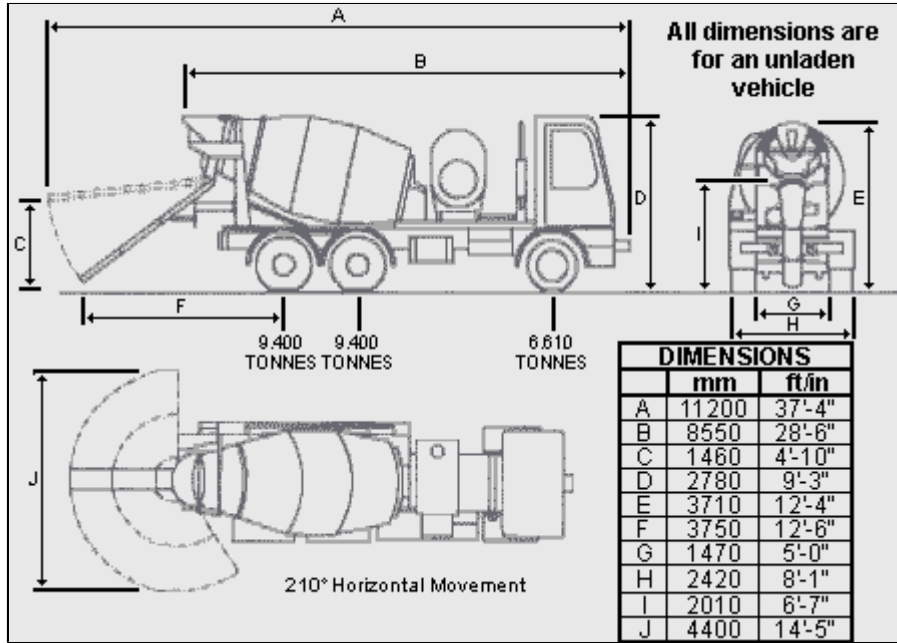
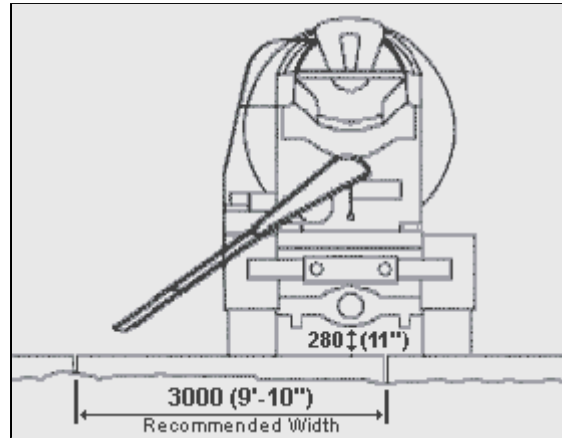


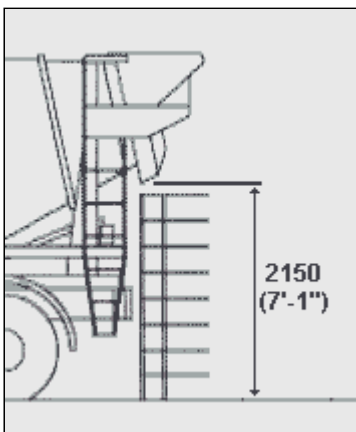
TRUCK DIMENSIONS



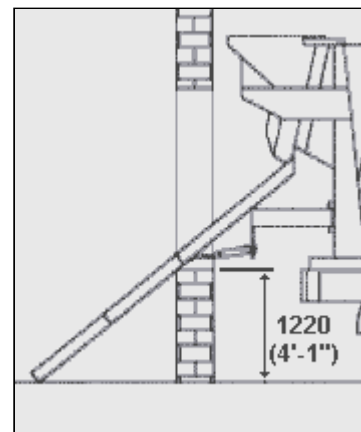
Footings



Concrete Slabs



Hollow Block Wall Fill



Through Windows

Tel: 01780 482000 Fax: 01780 480066 Email: sales@candgconcrete.co.uk